





# LED STACKING

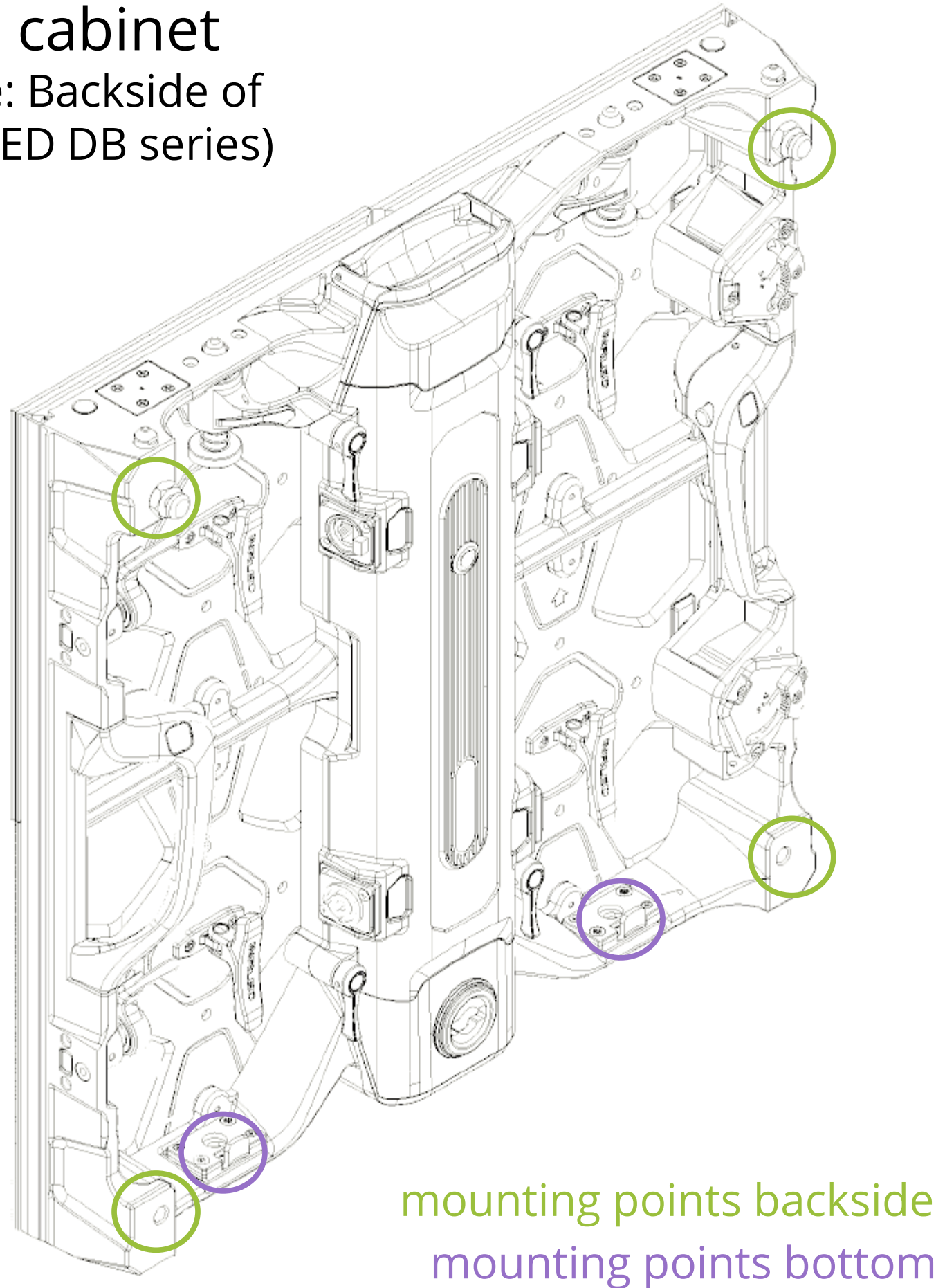
---

By **EXACT solutions**

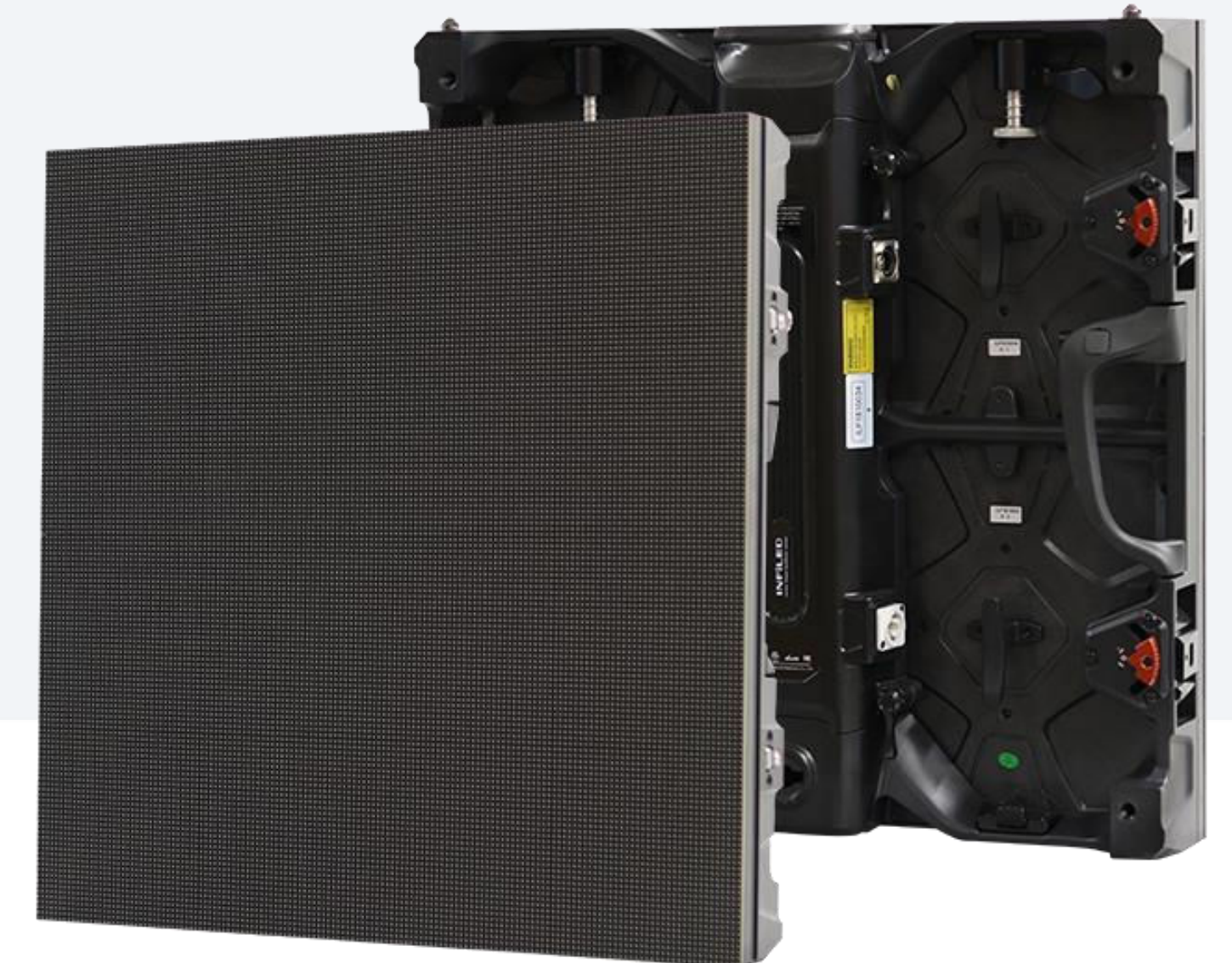
---

▶ **Overview LED cabinets**

LED cabinet  
(here: Backside of  
INFiLED DB series)



- LED cabinet contains LED modules (4 units mostly)
- Cabinets of different LED types can differ in:
  - Dimensions (width, height, depth)
  - Weight and center of gravity
  - Mounting points at backside and bottom
- There are some common sizes which are used for the most LED types, for example:
  - 500 x 500
  - 480 x 480
  - 466 x 466
- Cabinets are connected with LED Stacking system at the bottom and at the backside



 **EXso LED Stacking**

## Just 4 System Components

1. Ski + Extension
2. Base
3. Stacker + Clamps
4. Diagonal

## Different to other LED Stackings

- Ultimate rental product – modular system – easy and fast set up
- Just a few parts depend on LED cabinet type
- Each part can be replaced to upgrade existing parts to other LED cabinet types
- Innovative and rental proof design
- If cabinets expand due to heat they can move as much as they need without having visible gaps between module columns
- Stacker can move with Base Plates and LED cabinets due to Ski with movable stacker connection
- Bases can be attached to each other very fast with one hand move and without tools
- Static calculation with detailed stacking information for each set up



## ▶ Components

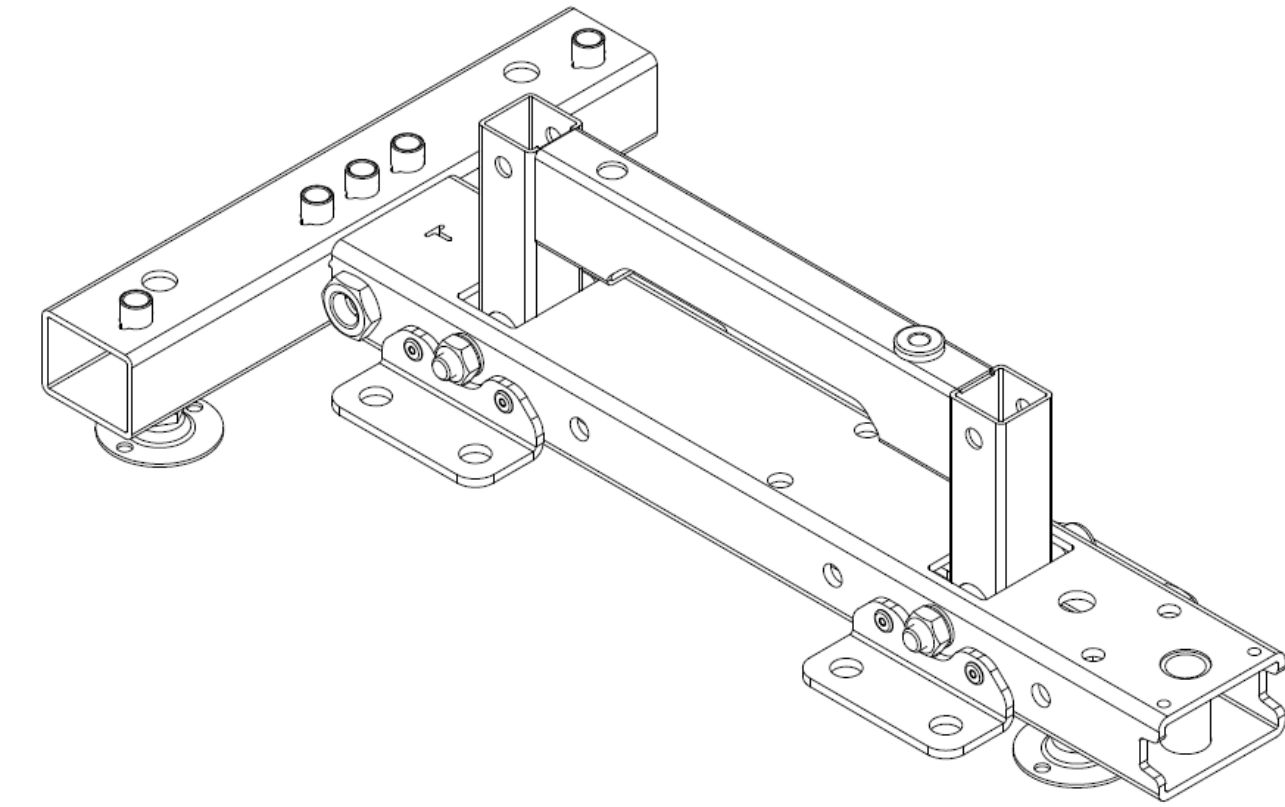
### Ski

- The Ski is a standard part, it fits for all LED cabinet types
- Article number: LED-SKI

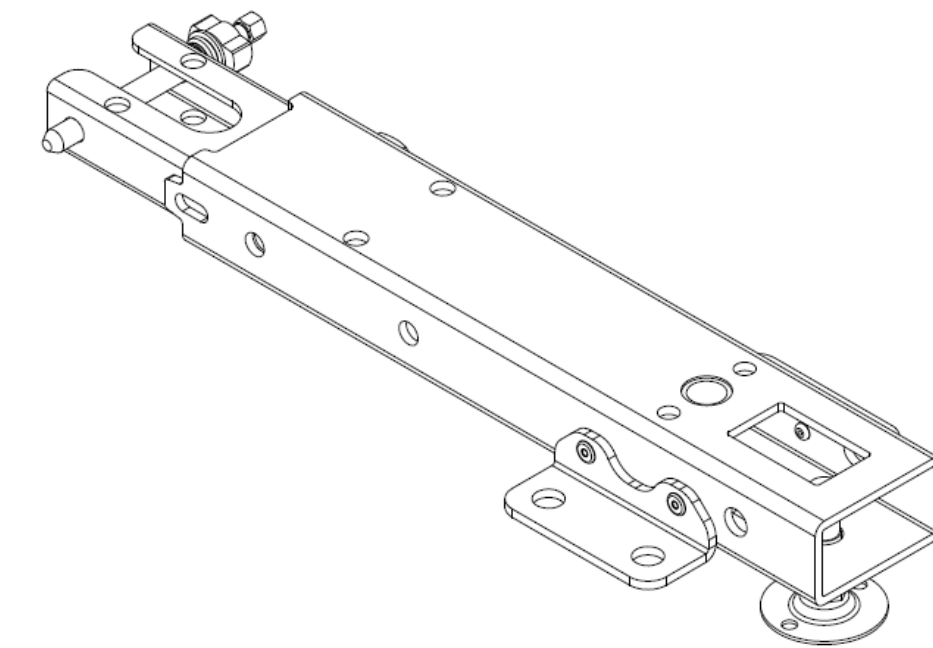
### Extension

- There are two versions: Small and Large
- The large one is needed if the LED wall is larger than 8 modules height
- Besides that, the Extensions are standard parts and fit for all LED cabinet types
- Article number: LED-EXN-S, LED-EXN-L

LED-SKI



LED-EXN-S



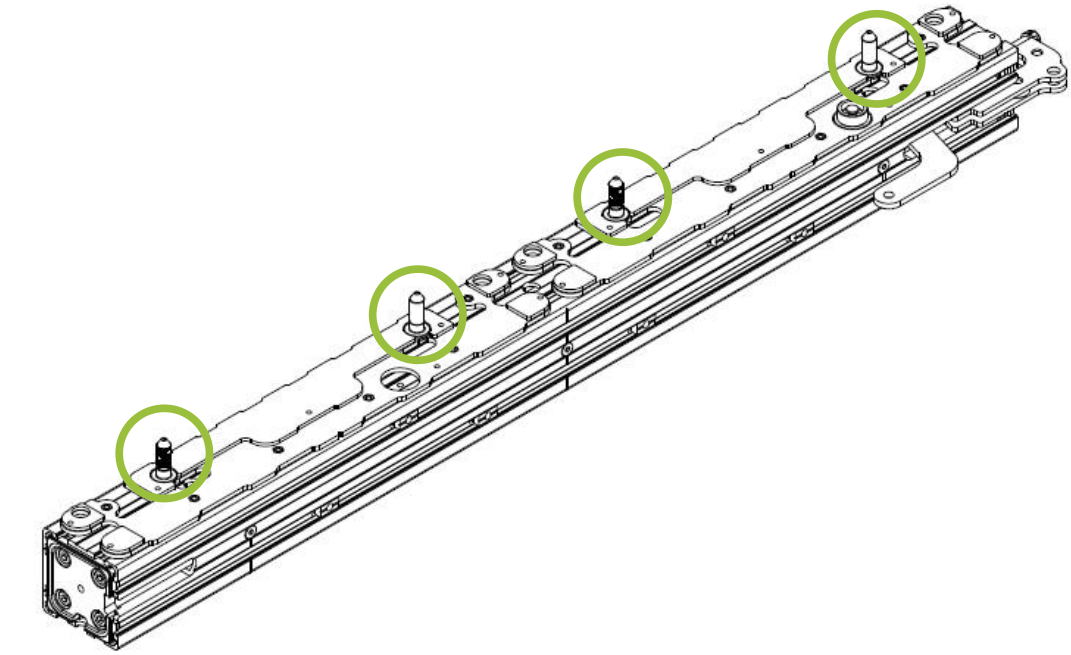
▶ **Components**

Connection bolts  
Connection to LED cabinet  
(mounting points bottom)

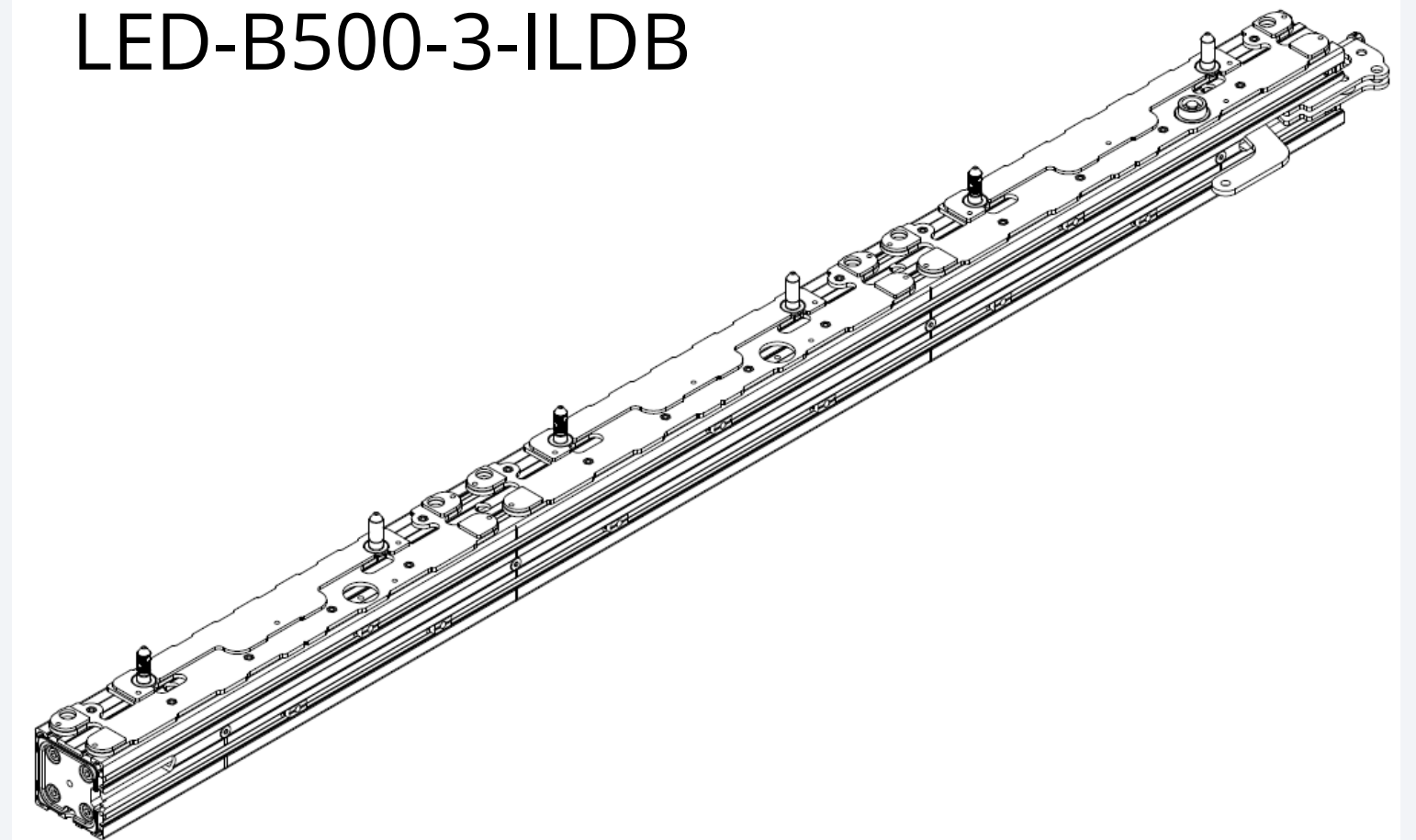
**Base**

- The Base consists of the Base Profile and the Base Plates
  - The Base Profile is a standard part
  - The Base Plates are made for specific LED cabinet types
- There are always three versions, for 1 LED cabinet (for curved applications), for 2 LED cabinets and for 3 LED cabinets
- For example article number: LED-B500-2-ILDB
  - „2-ILDB“ stands for 2 cabinets of INFiLED DB series
  - „B500“ stands for the standard Base Profile of 500mm
- Just as article number: LED-B500-3-ILDB
  - „3-ILDB“ stands for 3 cabinets of INFiLED DB series
  - „B500“ stands for the standard Base Profile of 500mm

LED-B500-2-ILDB



LED-B500-3-ILDB



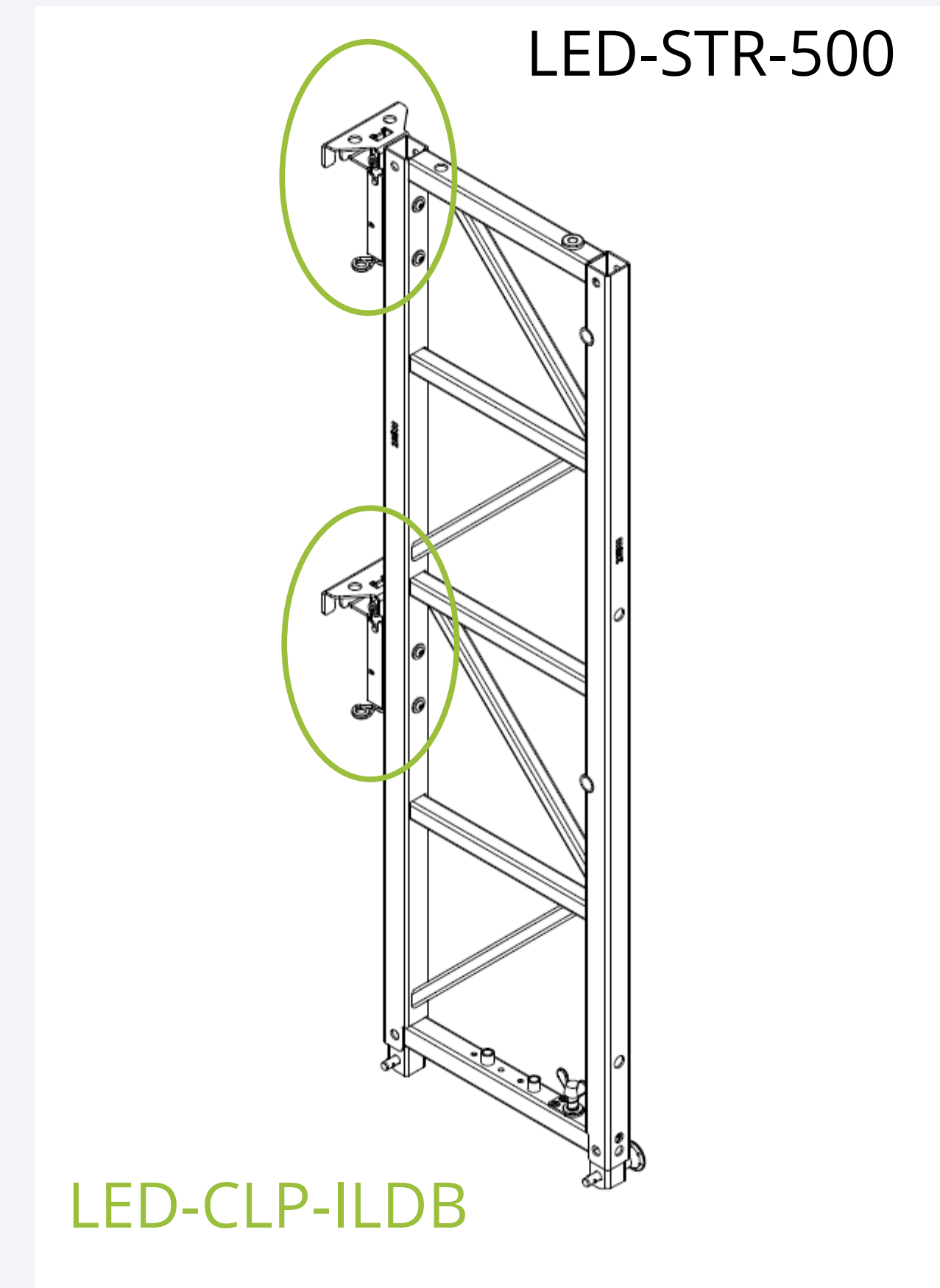
▶ **Components**

## Stacker

- There are four versions for different LED cabinet heights
- So far there are 300mm, 466mm, 480mm and 500mm versions
- Article numbers: LED-STR-300, LED-STR-466, LED-STR-480, LED-STR-500

## Clamp

- There is a Clamp for each specific LED cabinet type
- The Clamp connects the LED cabinet (mounting points backside) to the Stacker
- For example article number: LED-CLP-ILDB
  - „ILDB“ stands for INFiLED DB series



▶ **Components**

**Diagonal**

- So far there are 300mm, 466mm and 480mm/500mm versions
- There are small and large versions for each of them
  - The small one is made for 2 rack units of the LED cabinet height
    - For LED walls up to 7 modules
  - The large one is made for 4 rack units of the LED cabinet height
    - For 8 modules or higher
- For example article number: LED-DIL-L500f
  - „L500“ stands for 4 times rack unit of a 480 or 500mm cabinet
  - „f“ stands for foldable (the large 500 version is the only one that is foldable)
- Article numbers: LED-DIL-S300, LED-DIL-S466, LED-DIL-S500, LED-DIL-L466, LED-DIL-L500f

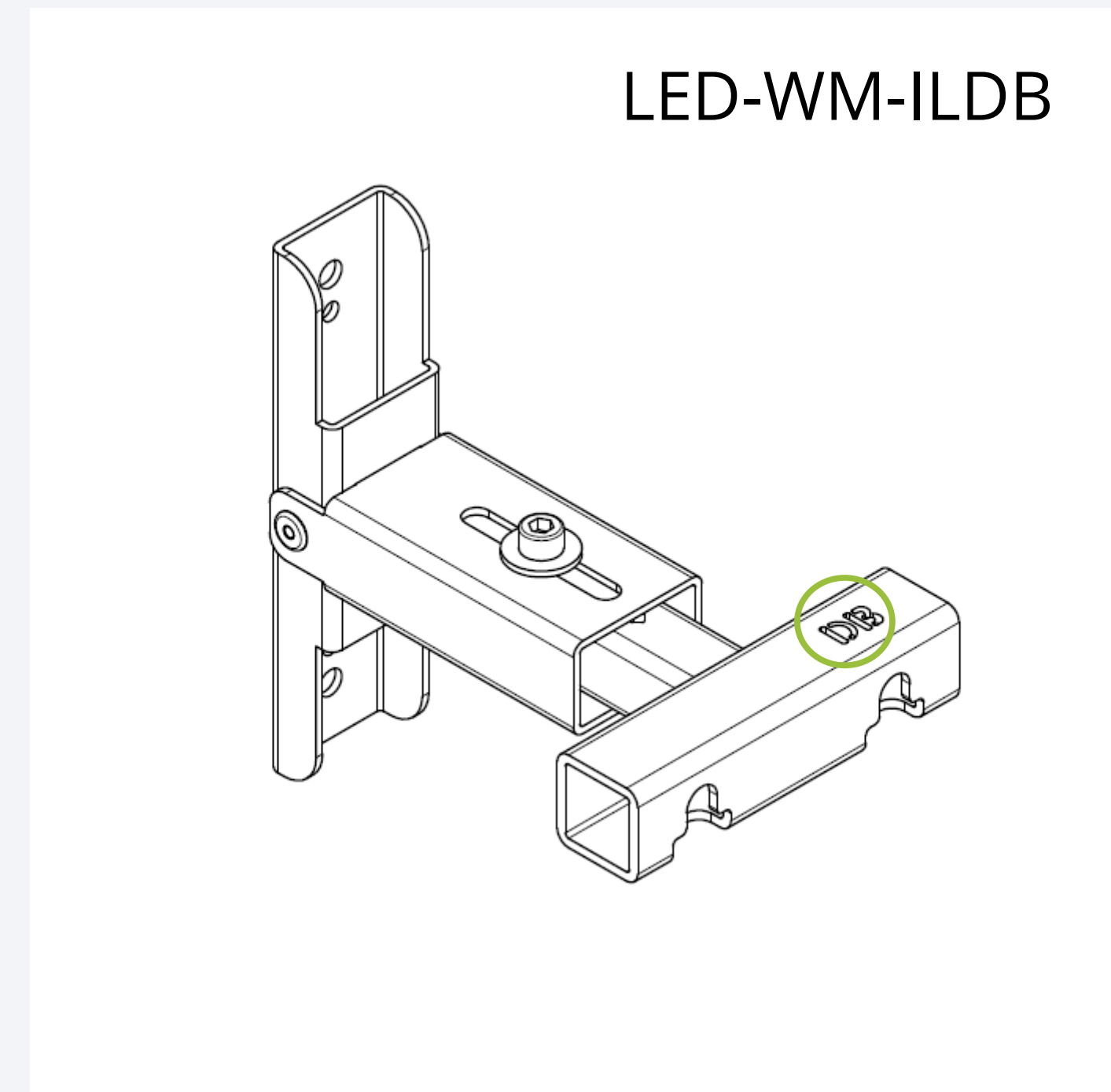




▶ **Components**

## Wall Mount (optional)

- There is a Wall Mount for each specific LED cabinet type
- The Wall Mount connects the LED cabinet to the wall if there is not enough space for the Stacker
  
- For example article number: LED-WM-ILDB
  - „WM“ stands for Wall Mount
  - „ILDB“ stands for INFiLED DB series



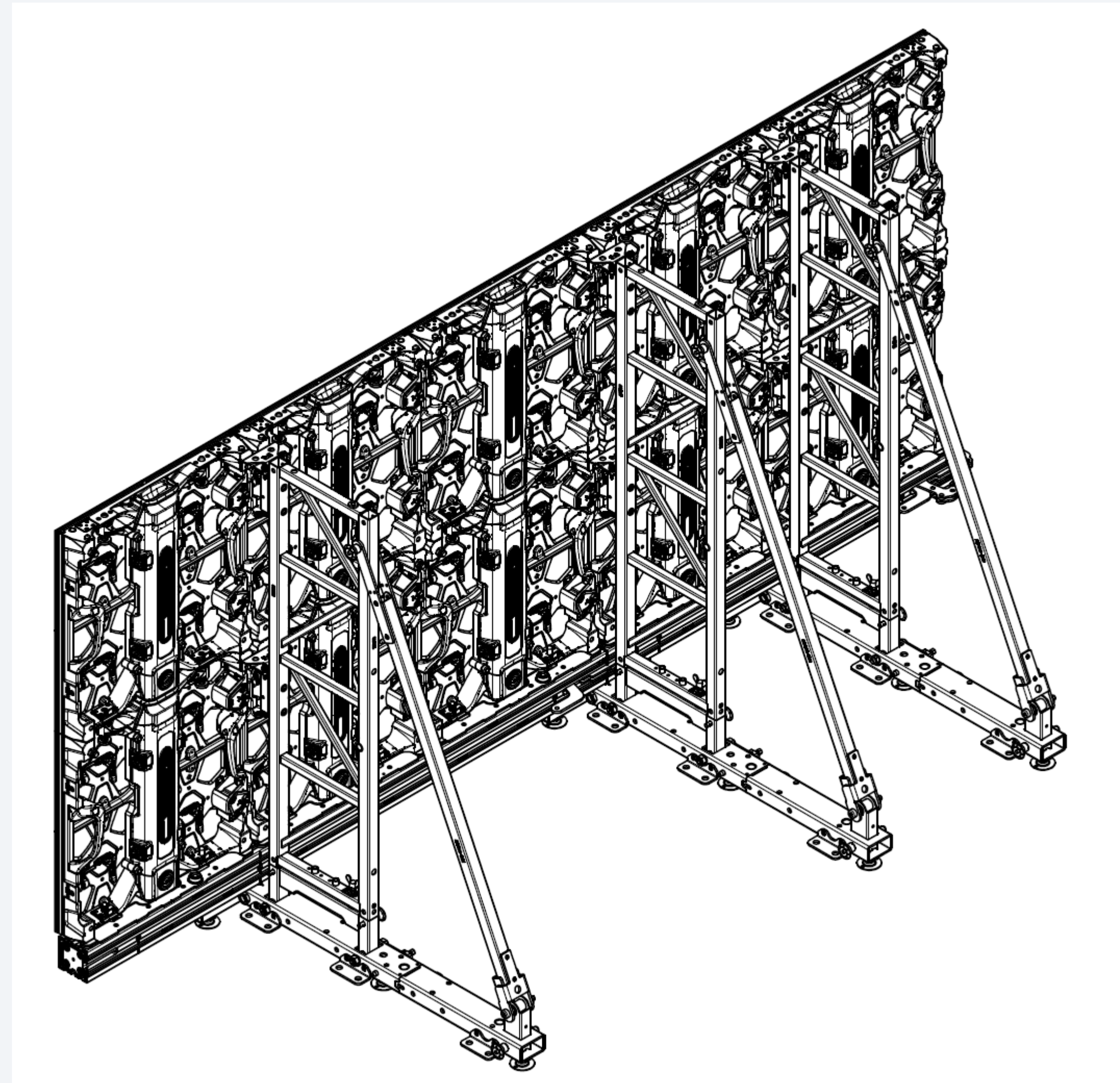
Marking for each Module type



▶ **Example: 5 x 2 LED wall Infiled DB series (DB3.47, DB2.9)**

- Stacker + Clamps

- Base

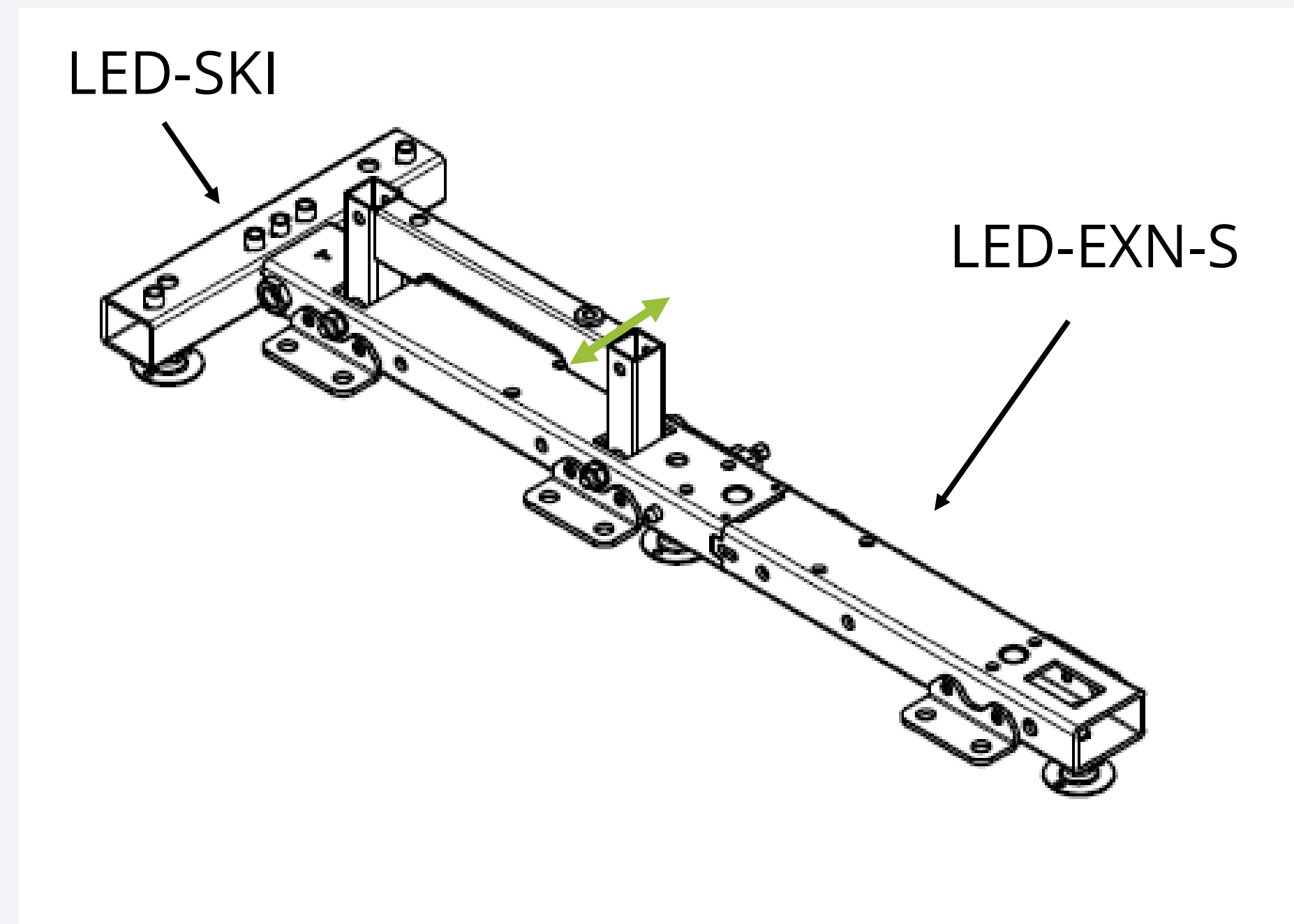


- Diagonal

- Ski + Extension



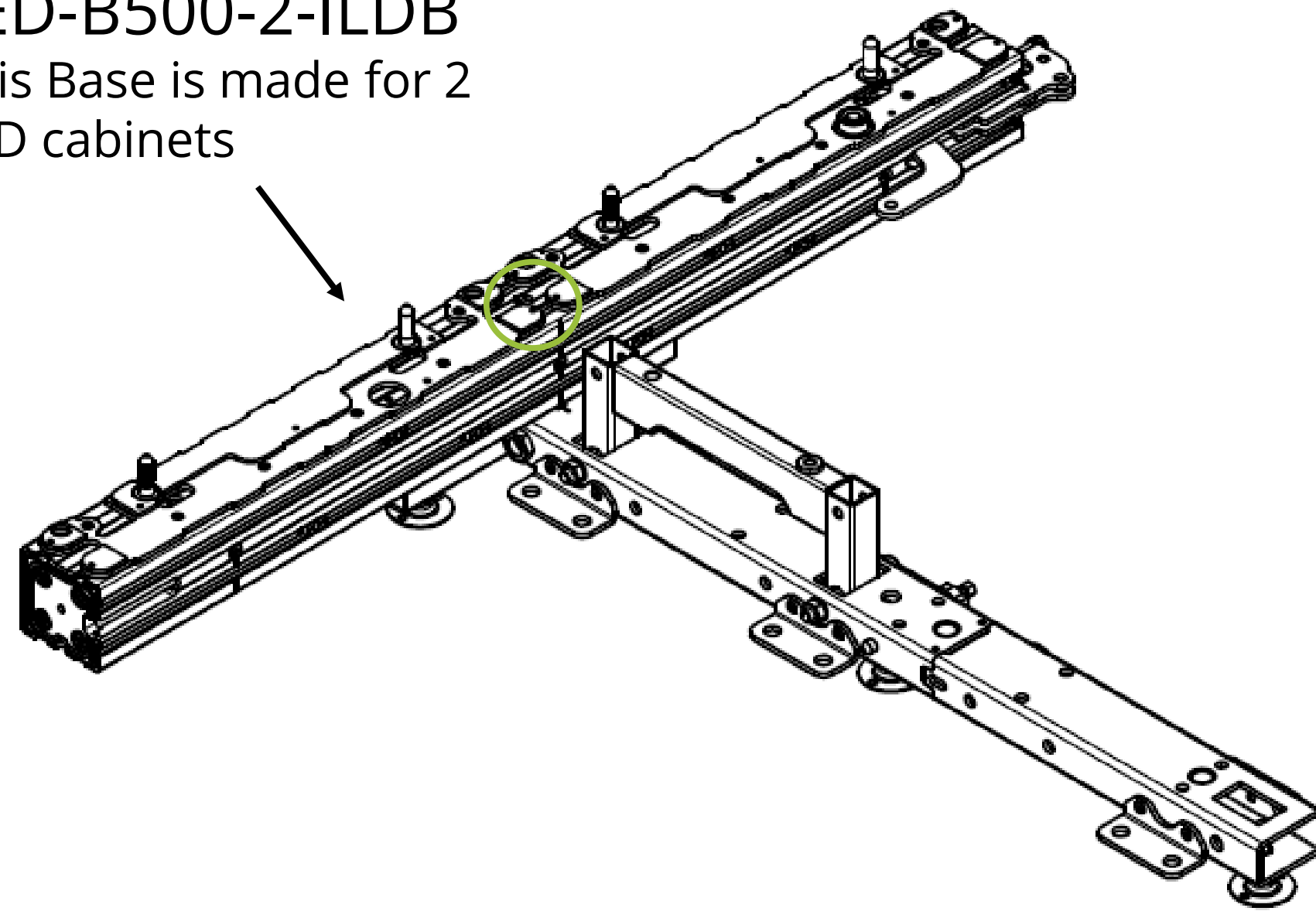
▶ **Step 1 – Placing Ski and attaching Extension**



**Movable stacker connection**  
Stacker can move with cabinets if they expand due to heat and during set up

▶ **Step 2 – Attaching Base**

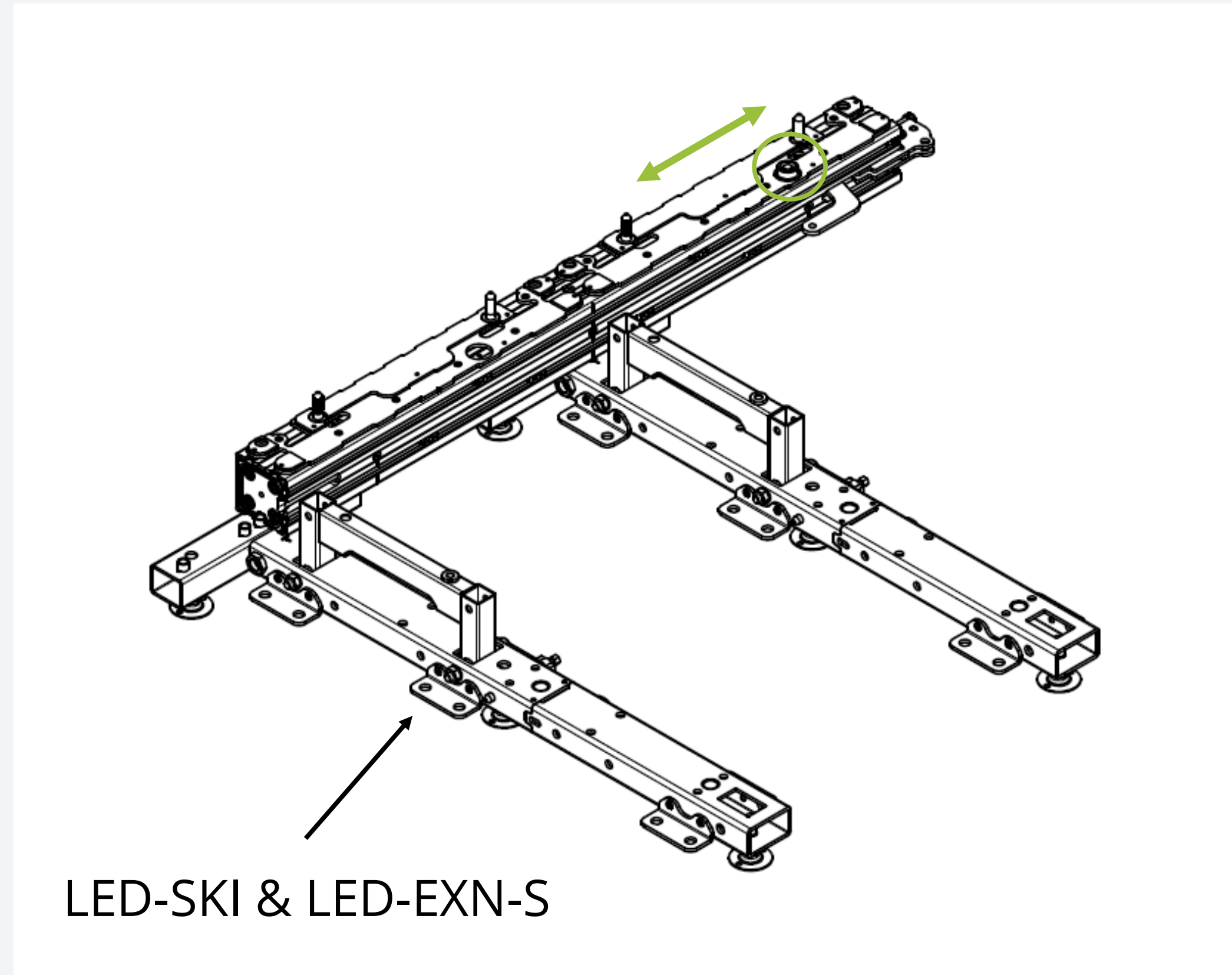
**LED-B500-2-ILDB**  
This Base is made for 2  
LED cabinets



**Easy mounting**  
Mounting Base to Ski with  
just one screw

▶ **Step 3 – Attaching second Ski & Extension**

**Movable Base Plates**  
Enables cabinets to move if they expand due to heat or during set up

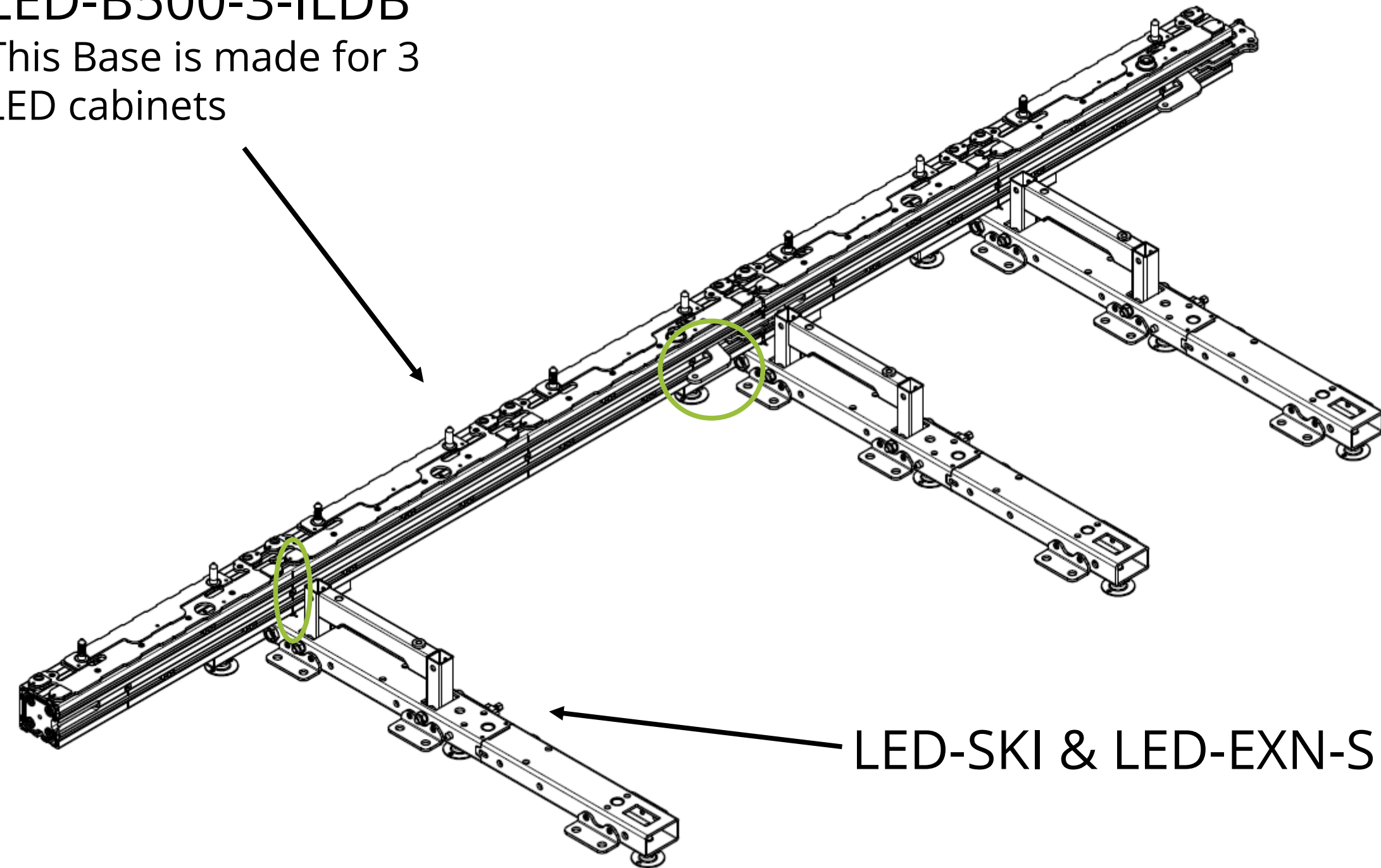


**Fixing screw**  
Easy Fixing at base profile without tools if Base Plate shall not move (usually in the middle of the LED wall)

▶ **Step 4 - Attaching third Ski & Extension and second Base**

**Markings at Base**  
Immediately showing  
where a Ski can be  
mounted

**LED-B500-3-ILDB**  
This Base is made for 3  
LED cabinets

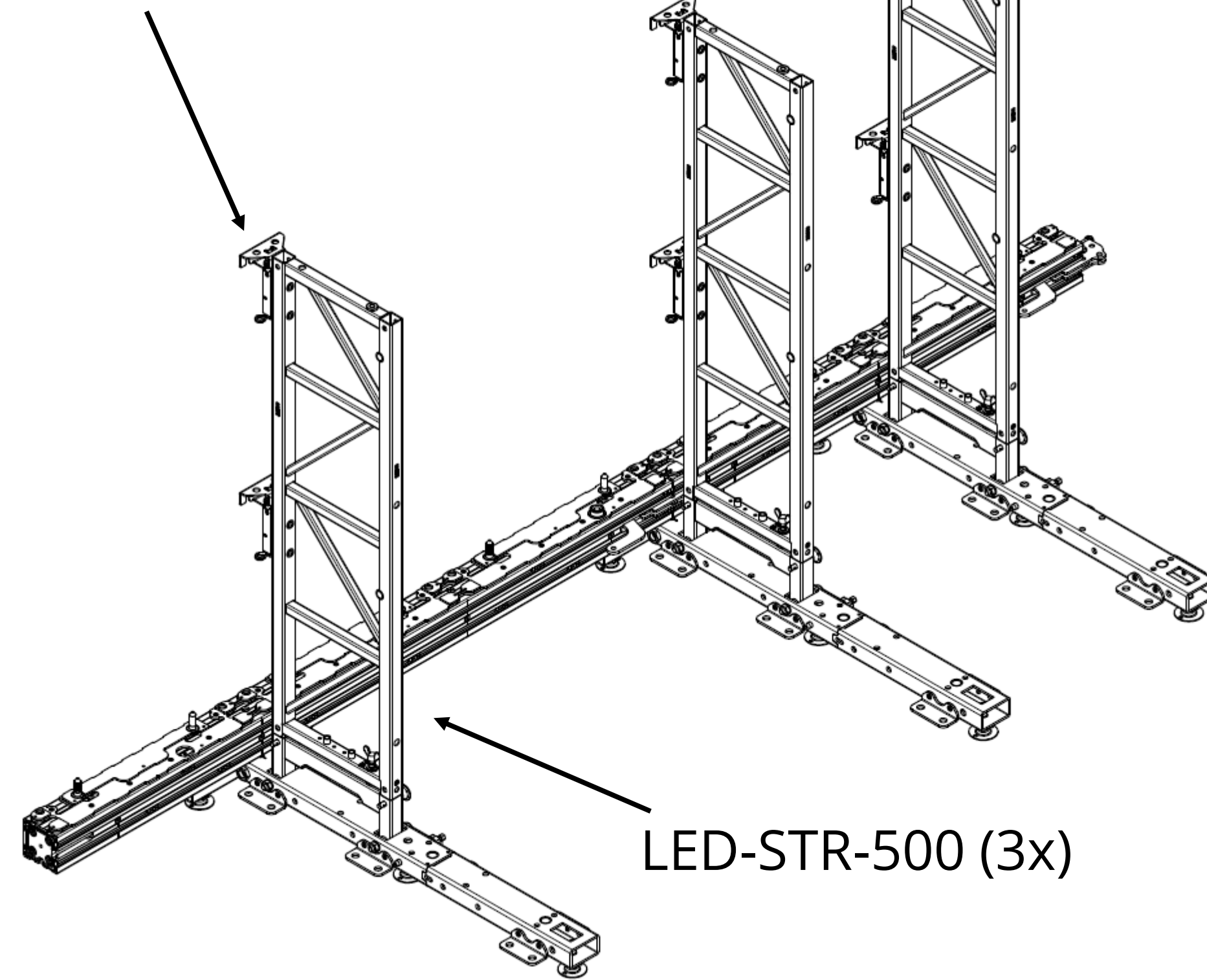


**Easy Base Connection**  
Bases can be attached to each  
other easy and very fast with  
one hand move and without  
tools due to our coupling  
system

▶ **Step 5 – Attaching Stacker and Clamps**

**Tool-less Clamp connection**  
Clamps are inserted in Stacker  
without tools

LED-CLPILDB (6x)

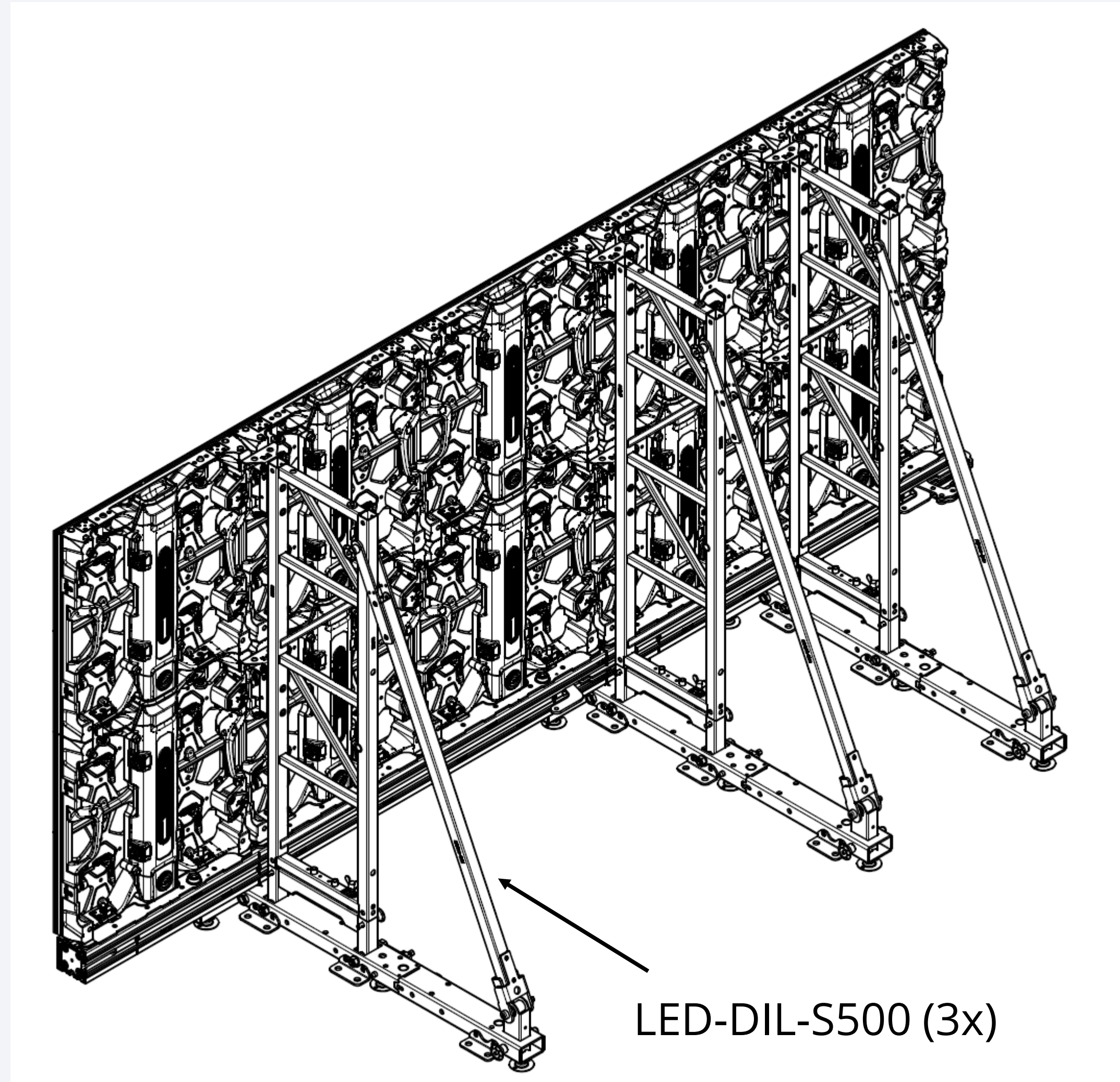


LED-STR-500 (3x)

**Tool-less Stacker connection**  
Stacker are inserted in Ski and  
secured with attached bolts without  
tools – No small parts that can get lost

▶ **Step 6 – Attaching LED Modules (5 x 2) and Diagonales**

**Simplified LED cabinet set up**  
Due to movable base plates the set up can be done fast and without to much planning



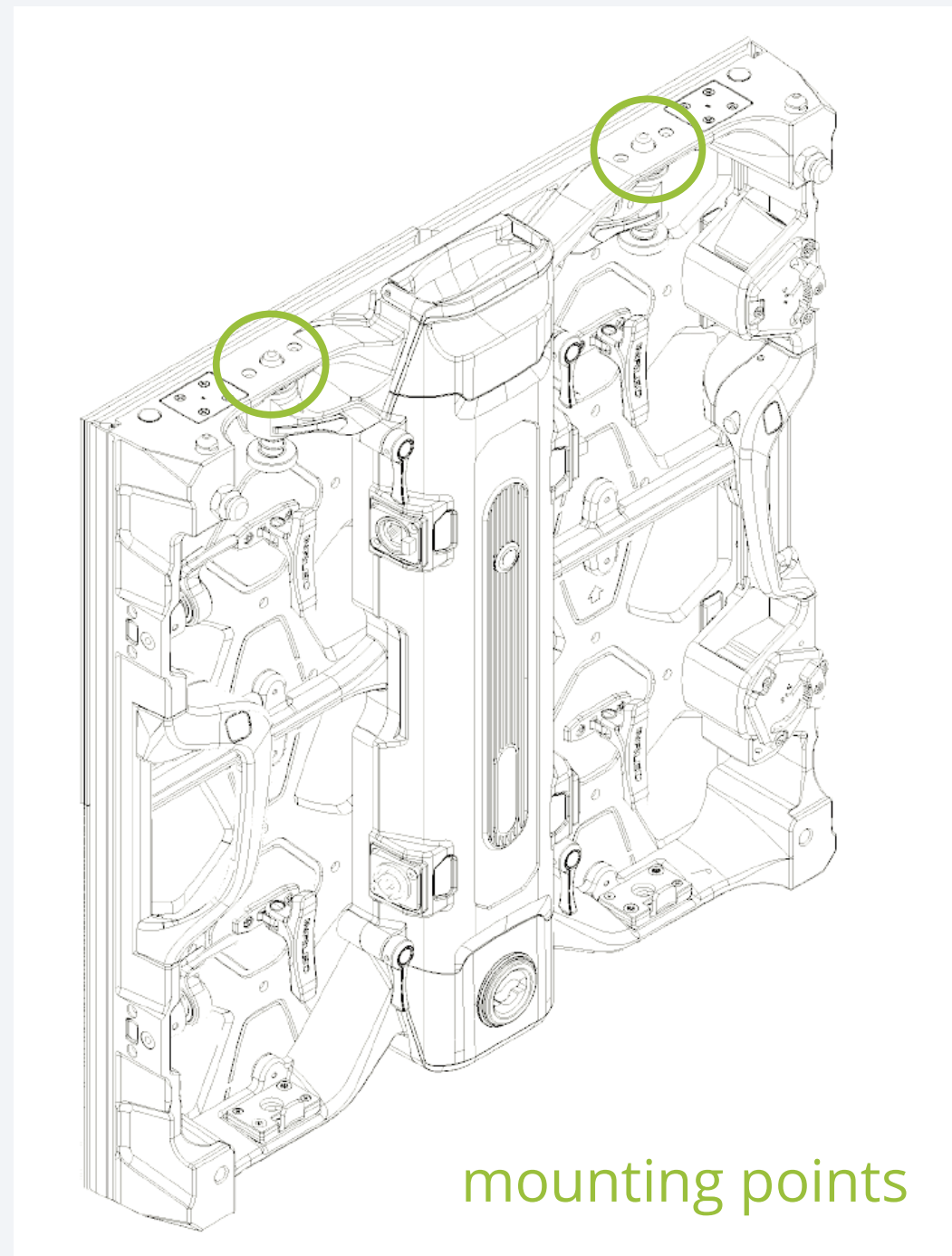
**Compatibility**  
Each Diagonal is compatible with the Extension



## ▶ EXso LED Hanging

### Just 4 System Components

1. Hanging Bracket for 1 LED cabinet
2. Hanging Bracket for 2 LED cabinets
3. Hanging Bracket for 3 LED cabinets
4. Connector



### Different to other LED Hangings

- Ultimate rental product – modular system – easy and fast set up
- Just 4 parts per cabinet type
- Innovative and rental proof design
- Hanged walls up to approx. 18 cabinets height
- If cabinets expand due to heat they can move as much as they need without having visible gaps between module columns
- Static calculation with detailed stacking information for each set up



## ▶ Components

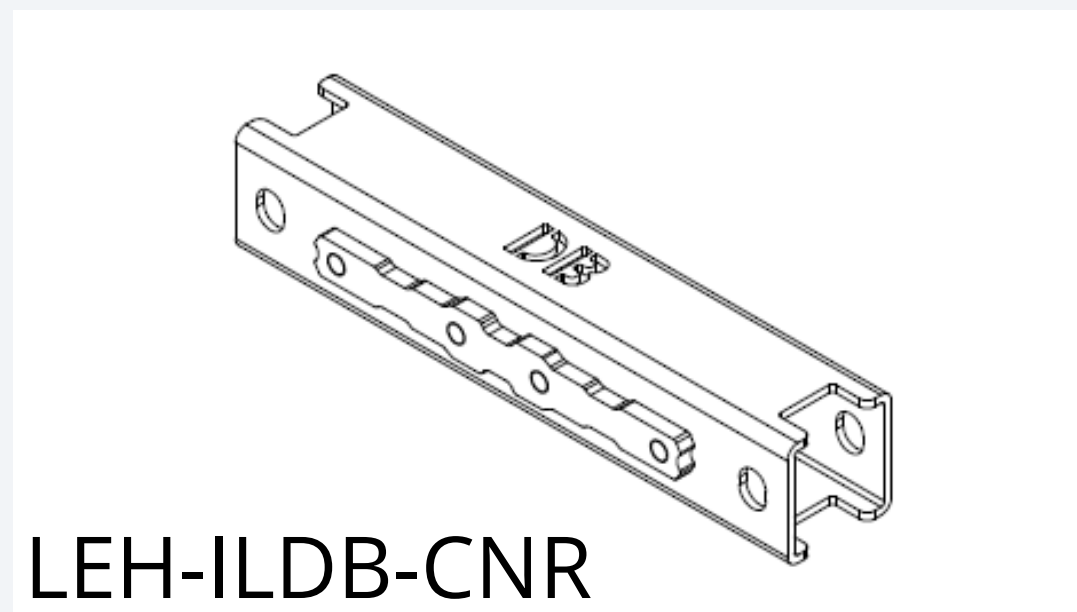
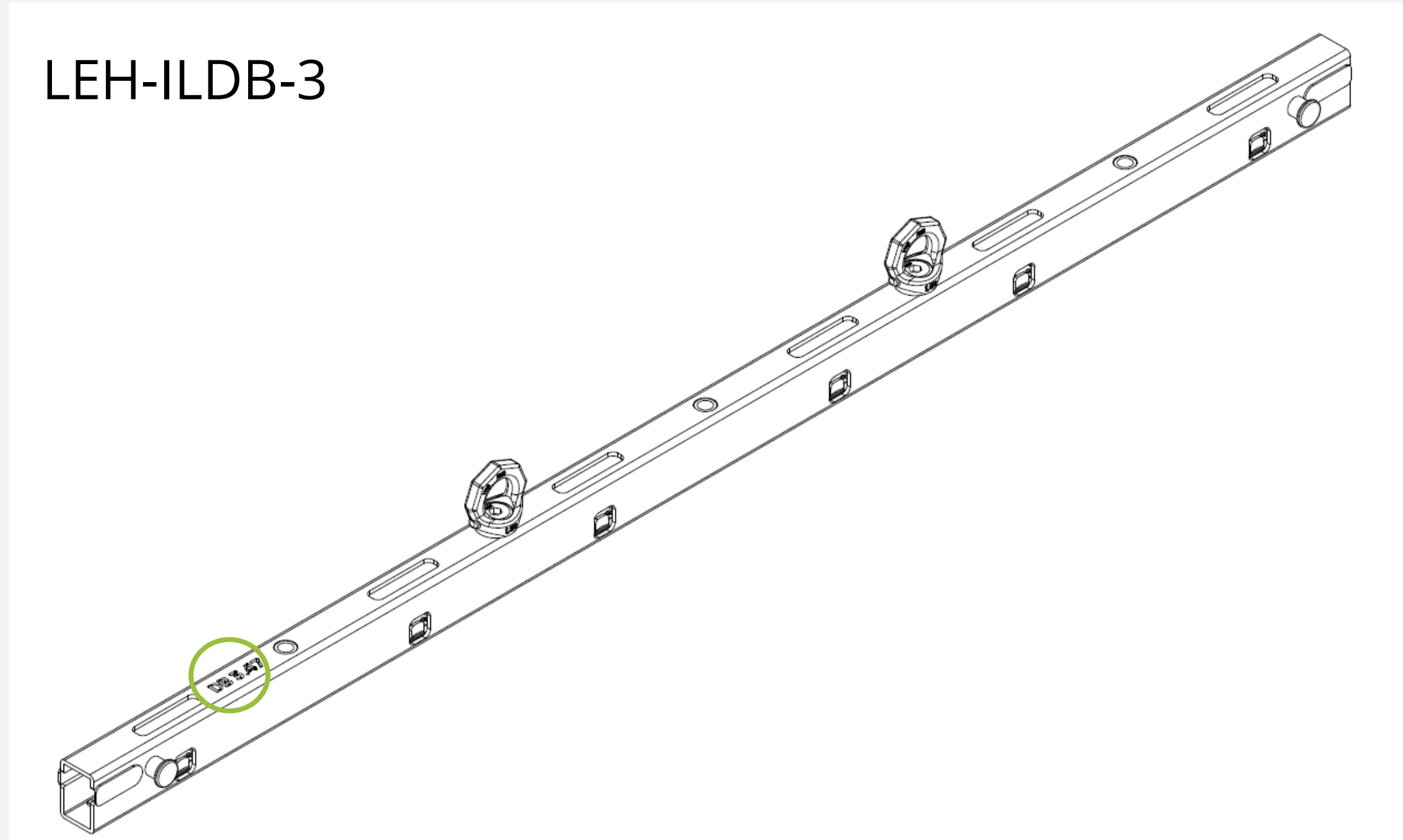
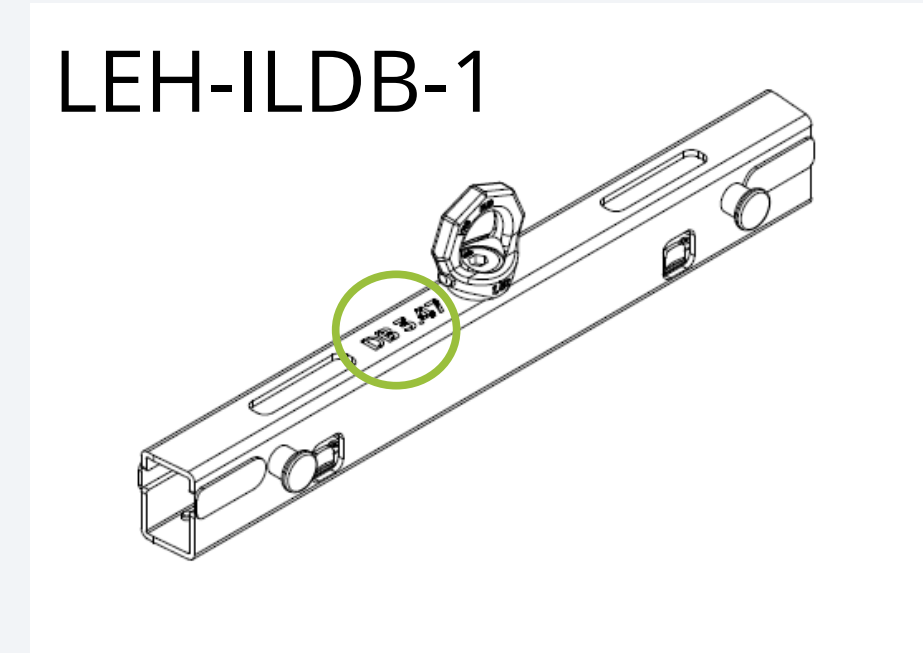
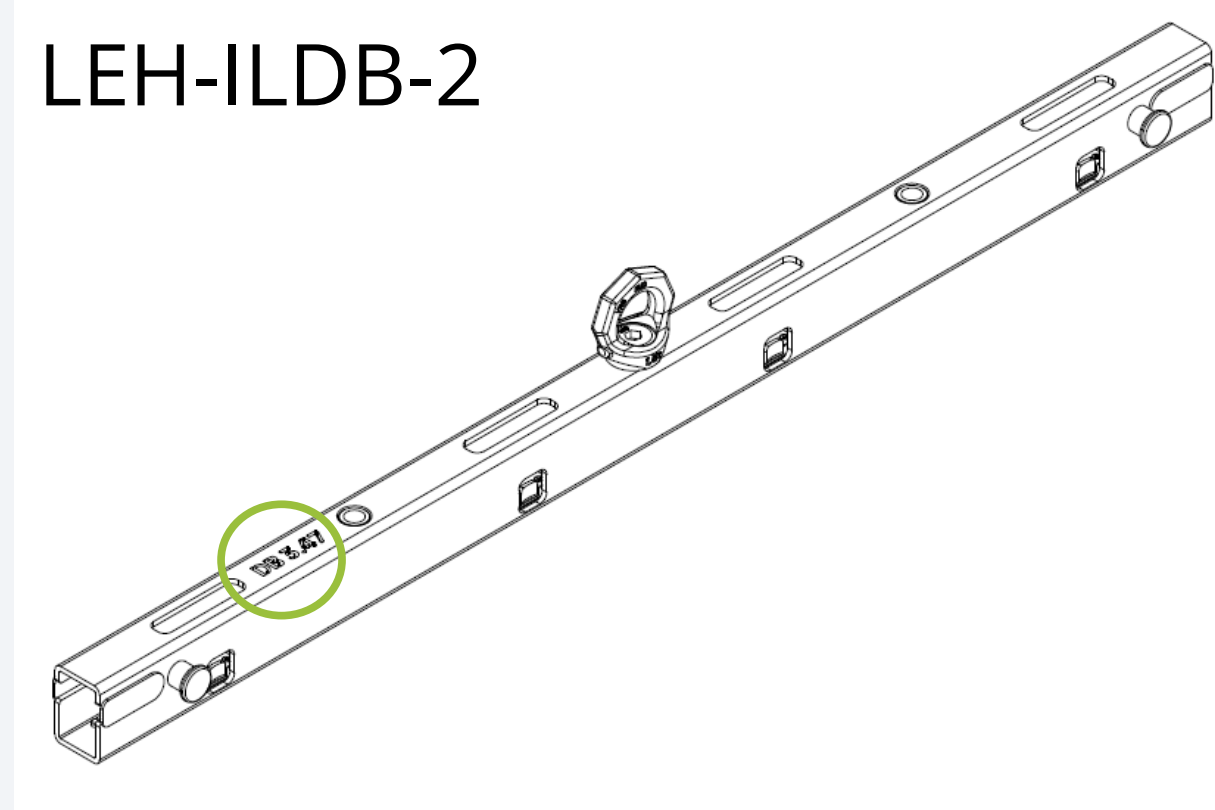
Marking on Bracket  
No mistaken identity possible

### Hanging Brackets

- Bracket for 1, 2 or 3 cabinets
- One Bracket type for each cabinet type
- LED cabinet type marked on bracket

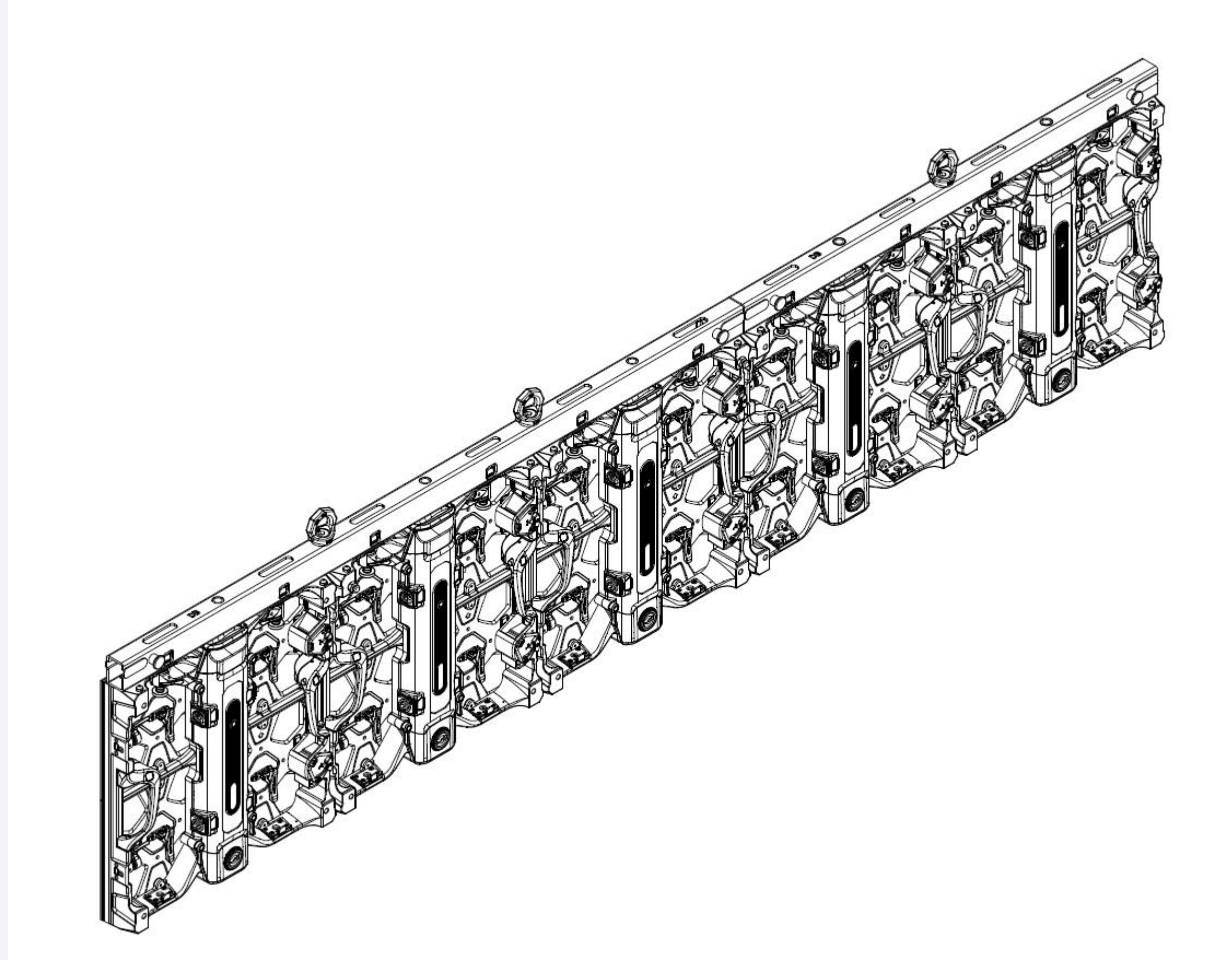
### Connector

- Connector is designed in a way that cabinets can move if they expand due to heat



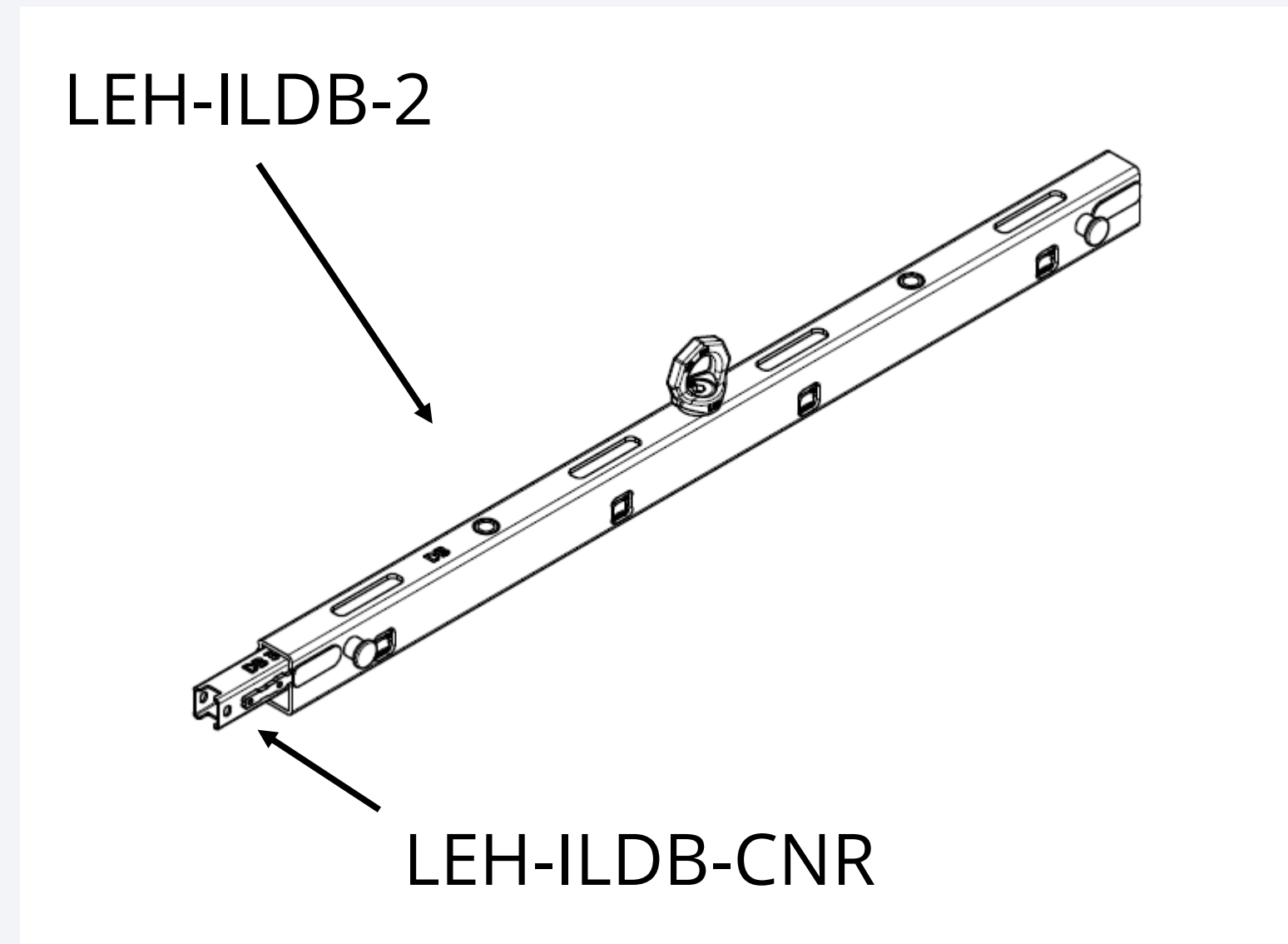
▶ **Example: 5 x 1 LED wall Infiled DB series (DB3.47, DB2.9)**

- Hanging Brackets

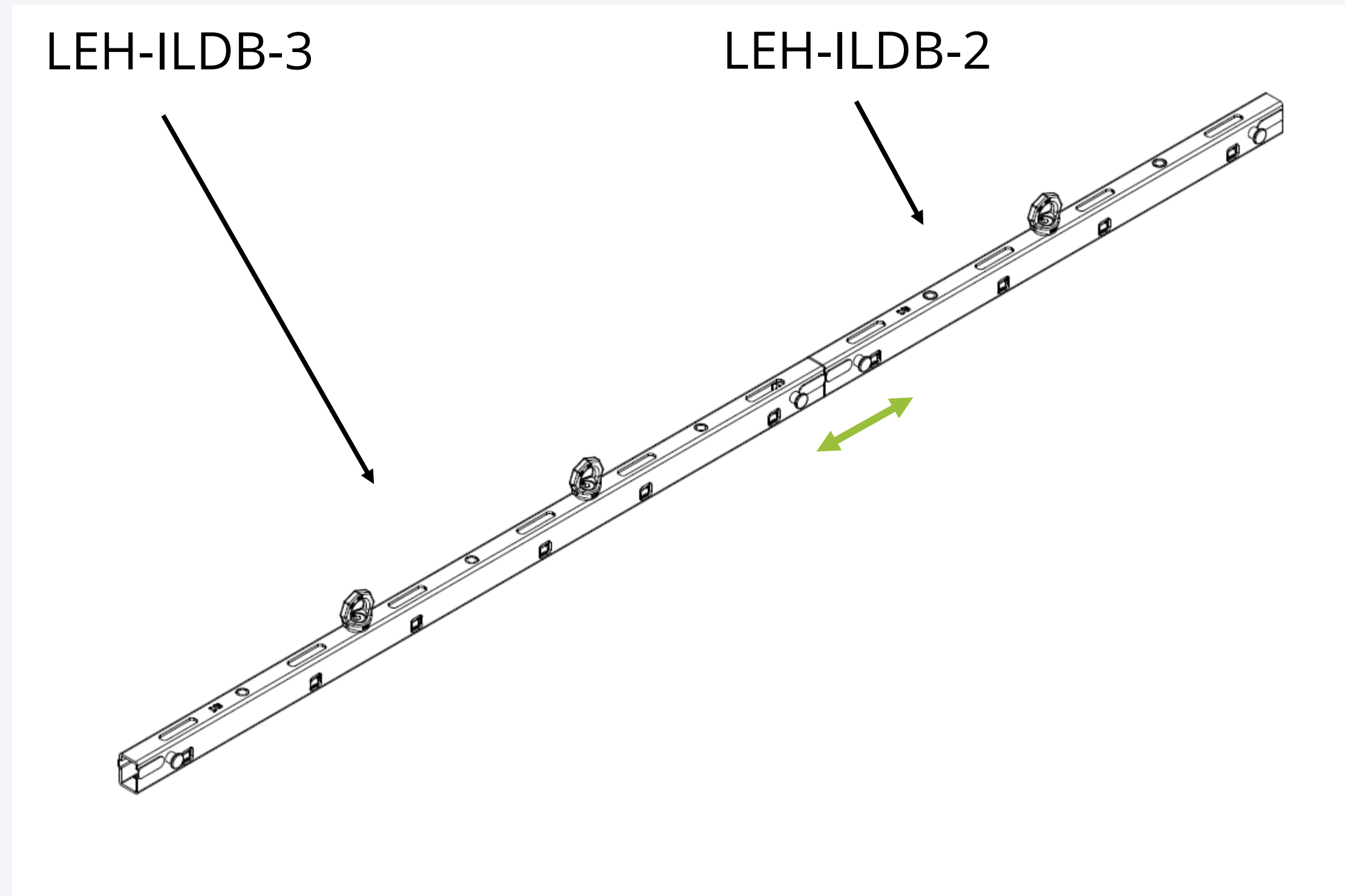


- Connectors

▶ **Step 1 – Attaching Extension to first Bracket**

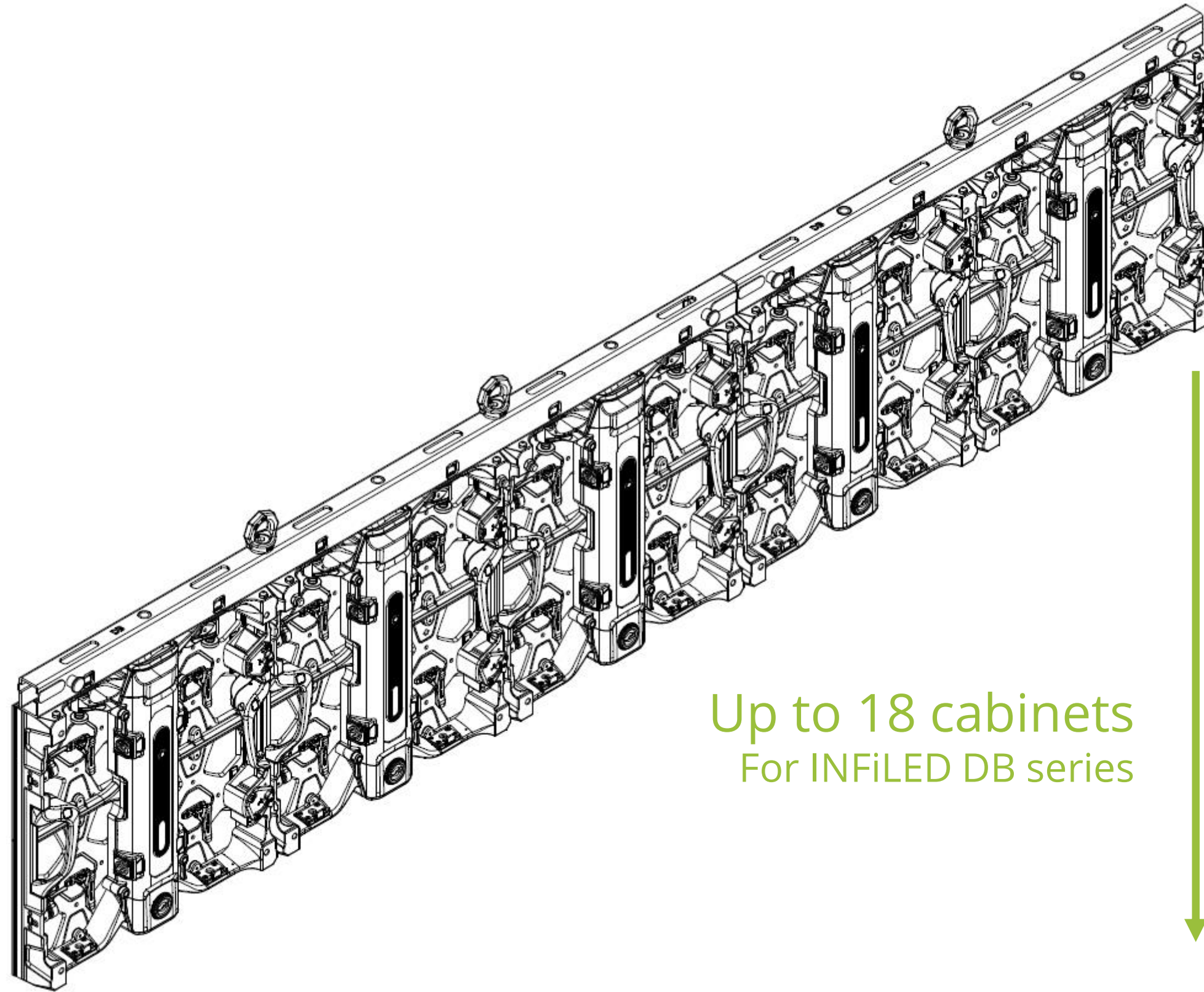


▶ **Step2 – Attaching next Bracket**



Space in connector  
Brackets can move with  
cabinets if they expand  
due to heat

▶ **Step3 – Attaching LED cabinets**



Up to 18 cabinets  
For INFiLED DB series



## Advantages EXso LED Stacking

### Just a few System Components

#### LED STACKING

1. Ski + Extension
2. Base
3. Stacker + Clamps
4. Diagonal

#### LED HANGING

1. Hanging Bracket for 1 LED cabinet
2. Hanging Bracket for 2 LED cabinets
3. Hanging Bracket for 3 LED cabinets
4. Connector

### Advantages

- Ultimate rental product – modular system – easy and fast set up
- Mostly standard parts, just a few parts depend on LED cabinet type
- Each part can be replaced to upgrade existing parts to other LED cabinet types
- Innovative and rental proof design
- Mostly tool-less set up
- If cabinets expand due to heat they can move as much as they need without having visible gaps between module columns
- Static calculation with detailed stacking information for each set up





# Thank You!

---

## Any Questions?

---